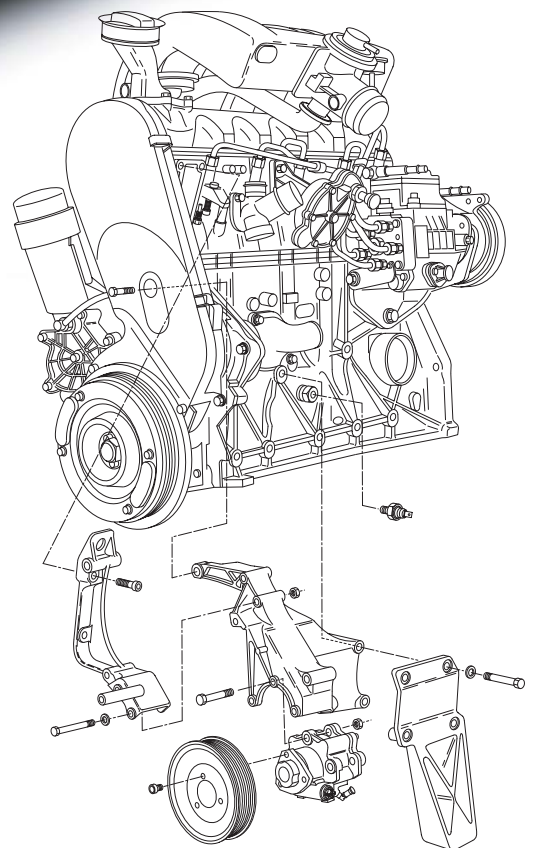
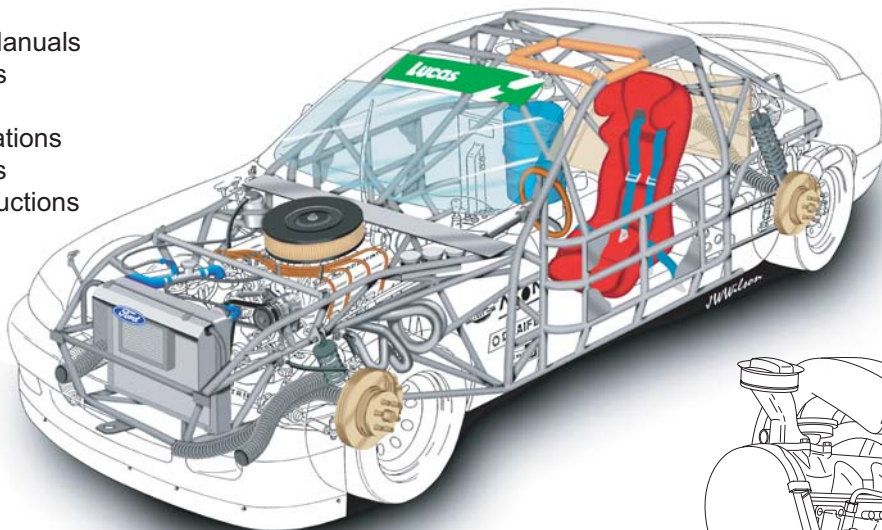


As part of the development process of industrial products, a considerable amount of accurate 3D data is produced to support both the design and manufacturing segments. Roush Technologies has an illustration team using the latest technologies to convert this data directly from source into formats that allow output of all necessary service information and support documentation.

Services include:-

- Photorealistic renderings
- Training Aids
- Maintenance Manuals
- Process Sheets
- Digital Artistry
- Concept Illustrations
- Marketing Tools
- Assembly Instructions



Prospect Way
Hutton
Brentwood
Essex CM13 1XA

Tel: +44 (0) 1277 261400
Fax: +44 (0) 1277 261525

www.roush.co.uk

Oskar - Schindler Strasse 9
50769 Köln
Germany

Tel: +49 (0) 221 539959-0
Fax: +49 (0) 221 539959-79

www.roushind.com

Hawkes Drive
Heathcote Industrial Estate
Warwick
CV34 6LX

Tel: +44 (0) 1926 316128
Fax: +44 (0) 1926 331950

www.roushracing.com